

Vizle Exam Pro



<https://vizle.offnote.co>

Contact us: vizle@offnote.co

This document was generated automatically by **Vizle**

Your **Personal Video Reader Assistant**

Learn from Videos **Faster** and **Smarter**

VIZLE PRO / BIZ

- Convert *entire* videos ^{PDF, PPT}
- *Customize* to retain all essential content
- Include Spoken *Transcripts*
- Customer support

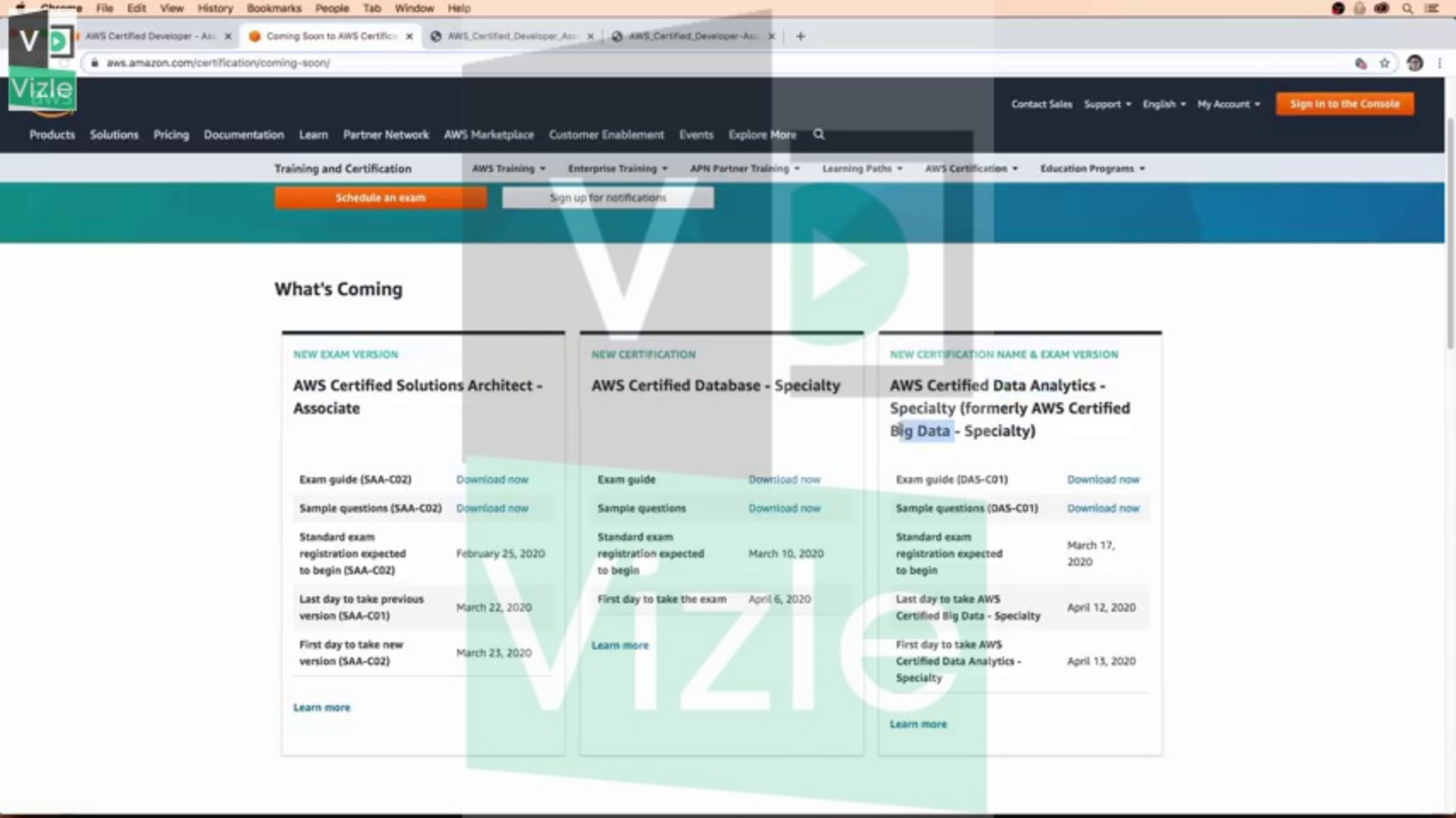
Visit <https://vizle.offnote.co/pricing> to learn more

VIZLE FREE PLAN

- Convert videos *partially* ^{PDF only}
- Slides may be *skipped**
- Usage restrictions
- No Customer support

Visit <https://vizle.offnote.co> to try free

Login to Vizle to unlock more slides*



Schedule an exam Sign up for notifications

What's Coming

NEW EXAM VERSION

AWS Certified Solutions Architect - Associate

Exam guide (SAA-C02)	Download now
Sample questions (SAA-C02)	Download now
Standard exam registration expected to begin (SAA-C02)	February 25, 2020
Last day to take previous version (SAA-C01)	March 22, 2020
First day to take new version (SAA-C02)	March 23, 2020

[Learn more](#)

NEW CERTIFICATION

AWS Certified Database - Specialty

Exam guide	Download now
Sample questions	Download now
Standard exam registration expected to begin	March 10, 2020
First day to take the exam	April 6, 2020

[Learn more](#)

NEW CERTIFICATION NAME & EXAM VERSION

AWS Certified Data Analytics - Specialty (formerly AWS Certified Big Data - Specialty)

Exam guide (DAS-C01)	Download now
Sample questions (DAS-C01)	Download now
Standard exam registration expected to begin	March 17, 2020
Last day to take AWS Certified Big Data - Specialty	April 12, 2020
First day to take AWS Certified Data Analytics - Specialty	April 13, 2020

[Learn more](#)



Introduction to Elastic Beanstalk

Choose a platform, upload your code and it runs with **little** knowledge of the infrastructure.

Not Recommended for "Production" applications

AWS is talking about enterprise, large companies.

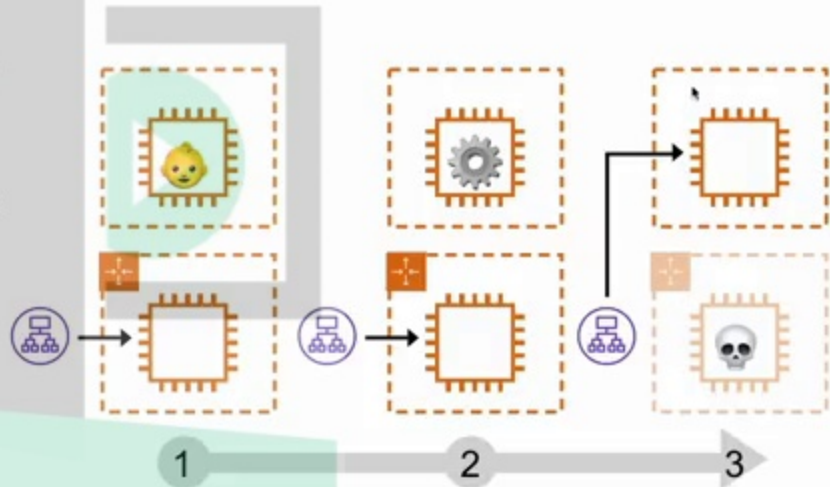
Elastic Beanstalk is powered by a CloudFormation template setups for you:

- Elastic Load Balancer
- Autoscaling Groups
- RDS Database
- EC2 Instance preconfigured (or custom) platforms
- Monitoring (CloudWatch, SNS)
- In-Place and Blue/Green deployment methodologies
- Security (Rotates passwords)
- Can run **Dockerized** environments



EB - Immutable

1. Create a new ASG group with EC2 instances
2. Deploy the updated version of the app on the new EC2 instances
3. Point the ELB to the new ASG and delete the old ASG which will terminate the old EC2 instances



The **safest way** to deploy for critical applications



In Case of Failure

You just terminate the new instances since the existing instances still remain.

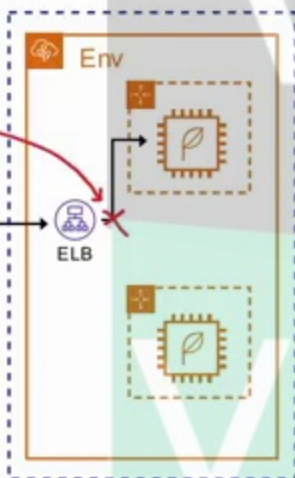


EB – In-Place vs Blue/Green Deployment

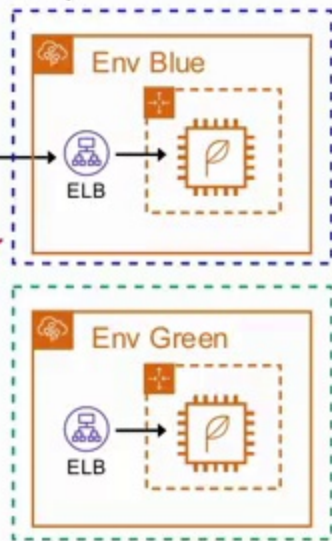
Blue / Green deployment in the **context** of Elastic Beanstalk:

Even though swapping ASG is a Blue / Green deployment strategy our Environment by the EB container and so the **mechanism of our deploy is happening within** our environment so its consider an In-Place deployment

Immutable (In-Place)



Swap ENV URL (Blue / Green)



Elastic Beanstalk defines Blue / Green as swapping EB environments and this occurs at the DNS level swapping out the ELBs



EB – Configuring RDS

A database can be added **inside** or **outside** your EB Environment.



Vizle



<https://vizle.offnote.co>

Contact us: vizle@offnote.co

This document was generated automatically by **Vizle**

Your **Personal Video Reader Assistant**

Learn from Videos **Faster** and **Smarter**

VIZLE PRO / BIZ

- Convert *entire* videos ^{PDF, PPT}
- *Customize* to retain all essential content
- Include Spoken *Transcripts*
- Customer support

Visit <https://vizle.offnote.co/pricing> to learn more

VIZLE FREE PLAN

- Convert videos *partially* ^{PDF only}
- Slides may be *skipped**
- Usage restrictions
- No Customer support

Visit <https://vizle.offnote.co> to try free

Login to Vizle to unlock more slides*